

Notebook Tour

User Guide

© Copyright 2007 Hewlett-Packard
Development Company, L.P.

Microsoft and Windows are U.S. registered
trademarks of Microsoft Corporation.
Bluetooth is a trademark owned by its
proprietor and used by Hewlett-Packard
Company under license. SD logo is a
trademark of its proprietor. Java is a U.S.
trademark of Sun Microsystems, Inc.

The information contained herein is subject
to change without notice. The only
warranties for HP products and services are
set forth in the express warranty statements
accompanying such products and services.
Nothing herein should be construed as
constituting an additional warranty. HP shall
not be liable for technical or editorial errors
or omissions contained herein.

First Edition: May 2007

Document Part Number: 440546-001

Product notice

This user guide describes features that are common to most models. Some features may not be available on your computer.

Table of contents

1 Identifying hardware

2 Components

Top components	3
Pointing devices	3
Lights	4
Buttons, switches, and fingerprint reader	6
Keys	7
Front components	8
Rear components	9
Right-side components	10
Left-side components	12
Bottom components	13
Display components	14
Wireless antennae	15
Additional hardware components	16

3 Labels


Index	18
-------------	----

1 Identifying hardware

To see a list of hardware installed in the computer, follow these steps:

1. Select **Start > Computer > System properties**.
2. In the left pane, click **Device Manager**.

You can also add hardware or modify device configurations using Device Manager.

 **NOTE:** Windows® includes the User Account Control feature to improve the security of your computer. You may be prompted for your permission or password for tasks such as installing applications, running utilities, or changing Windows settings. Refer to Windows online Help for more information.

2 Components

Top components

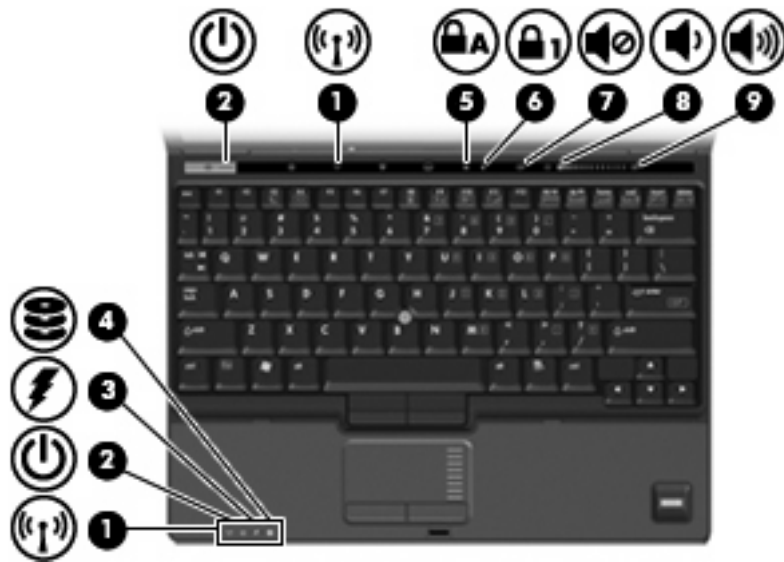
Pointing devices



Component	Description
(1) TouchPad on/off button	Turns the TouchPad on and off.
(2) Pointing stick*	Moves the pointer and selects or activates items on the screen.
(3) Left pointing stick button*	Functions like the left button on an external mouse.
(4) TouchPad*	Moves the pointer and selects or activates items on the screen.
(5) Left TouchPad button*	Functions like the left button on an external mouse.
(6) Right TouchPad button*	Functions like the right button on an external mouse.
(7) TouchPad scroll zone	Scrolls up or down.
(8) Right pointing stick button*	Functions like the right button on an external mouse.

*This table describes factory settings. To view or change pointing device preferences, select **Start > Control Panel > Hardware and Sound > Mouse**.

Lights



Component	Description
(1) Wireless lights (2)*	<ul style="list-style-type: none"> On: An integrated wireless device, such as a wireless local area network (WLAN) device, the HP Broadband Wireless Module, and/or a Bluetooth® device, is on. Off: All wireless devices are off.
(2) Power lights (2)†	<ul style="list-style-type: none"> On: The computer is on. Blinking: The computer is in the Sleep state. Blinking rapidly: An AC adapter with a higher power rating should be connected. Off: The computer is off or in Hibernation.
(3) Battery light	<ul style="list-style-type: none"> Amber: A battery is charging. Green: A battery is close to full charge capacity. Blinking amber: A battery that is the only available power source has reached a low battery level. When the battery reaches a critical battery level, the battery light begins blinking rapidly. Off: If the computer is plugged into an external power source, the light turns off when all batteries in the computer are fully charged. If the computer is not plugged into an external power source, the light stays off until the battery reaches a low battery level.
(4) Drive light	<ul style="list-style-type: none"> Blinking green: The hard drive or optical drive is being accessed. Amber: HP 3D DriveGuard has temporarily parked the internal hard drive.
(5) Caps lock light	On: Caps lock is on.
(6) Num lock light	On: Num lock is on or the embedded numeric keypad is enabled.

Component	Description
(7) Volume mute light	<ul style="list-style-type: none"> • Off: Computer sound is on. • On: Computer sound is off.
(8) Volume down light	On: The volume scroll zone is being used to decrease speaker volume.
(9) Volume up light	On: The volume scroll zone is being used to increase speaker volume.

*The 2 wireless lights display the same information. The light on the wireless button is visible only when the computer is open. The wireless light on the front of the computer is visible whether the computer is open or closed.


†The 2 power lights display the same information. The light on the power button is visible only when the computer is open. The power light on the front of the computer is visible whether the computer is open or closed.

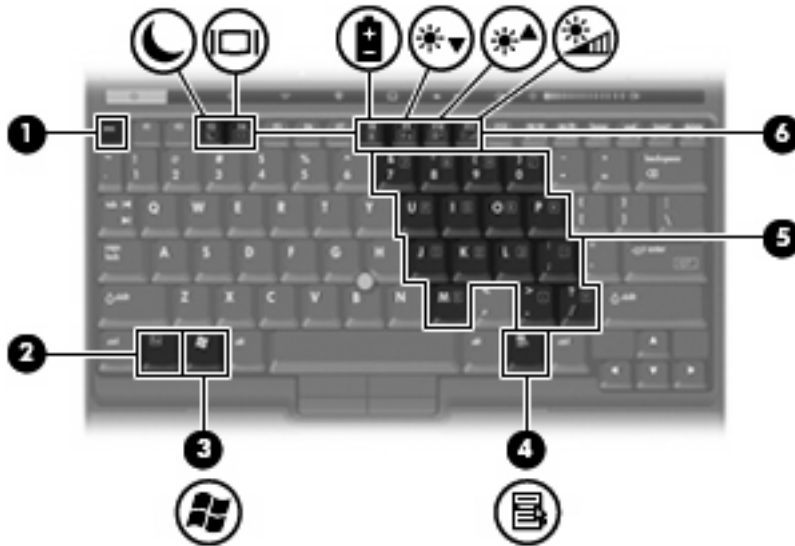
Buttons, switches, and fingerprint reader



Component	Description
(1) Power button	<ul style="list-style-type: none"> When the computer is off, press the button to turn on the computer. When the computer is on, press the button to shut down the computer. When the computer is in the Sleep state, press the button briefly to exit Sleep. When the computer is in Hibernation, press the button briefly to exit Hibernation. <p>If the computer has stopped responding and Windows® shutdown procedures are ineffective, press and hold the power button for at least 5 seconds to turn off the computer.</p> <p>To learn more about your power settings, select Start > Control Panel > System and Maintenance > Power Options.</p>
(2) Info button	Launches Info Center, which enables you to open various software solutions.
(3) Wireless button	Turns the wireless feature on or off, but does not establish a wireless connection. NOTE: A wireless network must be set up in order to establish a wireless connection.
(4) Presentation button	Starts the presentation feature.
(5) TouchPad on/off button	Turns the TouchPad on and off.
(6) Volume mute button	Mutes and restores speaker sound.
(7) Volume scroll zone	Adjusts speaker volume. Slide your finger to the left to decrease volume and to the right to increase volume.
(8) HP Fingerprint Sensor	Allows a fingerprint logon to Windows, instead of a password logon.

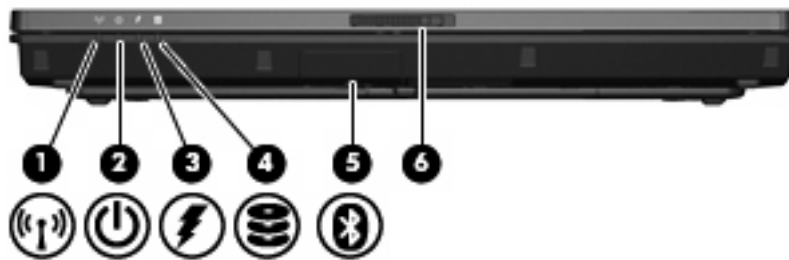
Keys

 **NOTE:** Your computer may look slightly different from the illustration in this section.



Component	Description
(1) <code>esc</code> key	Displays system information when pressed in combination with the <code>fn</code> key.
(2) <code>fn</code> key	Executes frequently used system functions when pressed in combination with a function key or the <code>esc</code> key.
(3) Windows logo key	Displays the Windows Start menu.
(4) Windows applications key	Displays a shortcut menu for items beneath the pointer.
(5) Embedded numeric keypad keys	Can be used like the keys on an external numeric keypad.
(6) Function keys	Executes frequently used system functions when pressed in combination with the <code>fn</code> key.

Front components



Component	Description
(1) Wireless light	<ul style="list-style-type: none"> On: An integrated wireless device, such as a wireless local area network (WLAN) device, the HP Broadband Wireless Module, and/or a Bluetooth device, is on. Off: All wireless devices are off.
(2) Power light	<ul style="list-style-type: none"> On: The computer is on. Blinking: The computer is in the Sleep state. Blinking rapidly: An AC adapter with a higher power rating should be connected. Off: The computer is off or in Hibernation.
(3) Battery light	<ul style="list-style-type: none"> Amber: A battery is charging. Green: A battery is close to full charge capacity. Blinking amber: A battery that is the only available power source has reached a low battery level. When the battery reaches a critical battery level, the battery light begins blinking rapidly. Off: If the computer is plugged into an external power source, the light turns off when all batteries in the computer are fully charged. If the computer is not plugged into an external power source, the light stays off until the battery reaches a low battery level.
(4) Drive light	<ul style="list-style-type: none"> Blinking green: The hard drive or optical drive is being accessed. Amber (select models only): HP 3D DriveGuard has temporarily parked the hard drive.
(5) Bluetooth module (select models only)	<p>Sends and receives Bluetooth device signals.</p> <p>WARNING! Exposure to Radio Frequency Radiation. The radiated output power of this device is below the FCC radio frequency exposure limits. Nevertheless, the device should be used in such a manner that the potential for human contact during normal operation is minimized. To avoid the possibility of exceeding the FCC radio frequency exposure limits, human proximity to the antennae should be not less than 20 cm (8 inches) during normal operation, including when the computer display is closed.</p>
(6) Display release latch	Opens the computer.

Rear components

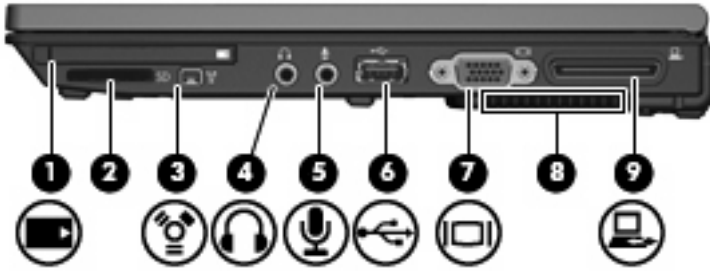


Component	Description
(1) RJ-45 (network) jack	Connects a network cable.
(2) Security cable slot	Attaches an optional security cable to the computer.

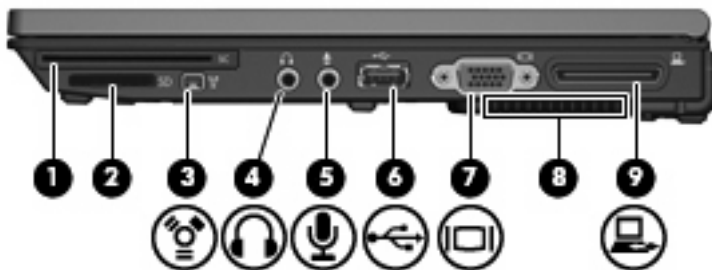
NOTE: The security cable is designed to act as a deterrent, but it may not prevent the computer from being mishandled or stolen.

Right-side components

Computer features vary depending on model. Refer to one of the following illustrations.



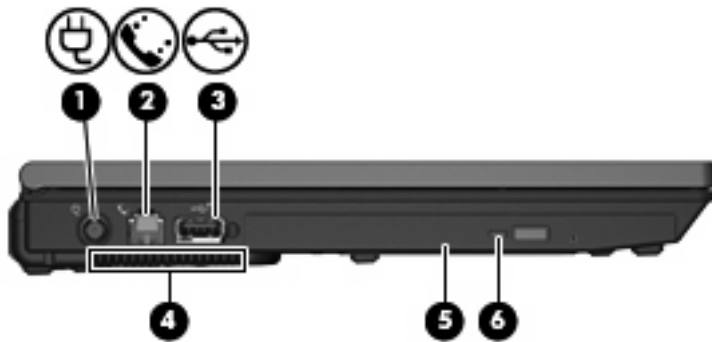
Component	Description
(1) PC Card slot (select models only)	Supports optional Type I or Type II PC Cards.
(2) Media Card Reader	Supports the following optional digital card formats: Secure Digital (SD) Memory Card, MultiMediaCard (MMC).
(3) 1394a port	Connects an optional IEEE 1394 or 1394a device, such as a camcorder.
(4) Audio-out (headphone) jack	Produces computer sound when connected to optional powered stereo speakers, headphones, ear buds, a headset, or television audio.
(5) Audio-in (microphone) jack	Connects an optional computer headset microphone, stereo array microphone, or monaural microphone.
(6) USB port	Connects an optional USB device.
(7) External monitor port	Connects an external VGA monitor or projector.
(8) Vent	Enables airflow to cool internal components.
	<p>CAUTION: To prevent overheating, do not obstruct vents. Use the computer only on a hard, flat surface. Do not allow another hard surface, such as an adjoining optional printer, or a soft surface, such as pillows or thick rugs or clothing to block airflow.</p> <p>NOTE: The computer fan starts up automatically to cool internal components and prevent overheating. It is normal for the internal fan to cycle on and off during routine operation.</p>
(9) Docking connector	Connects an optional docking device.



Component	Description
-----------	-------------

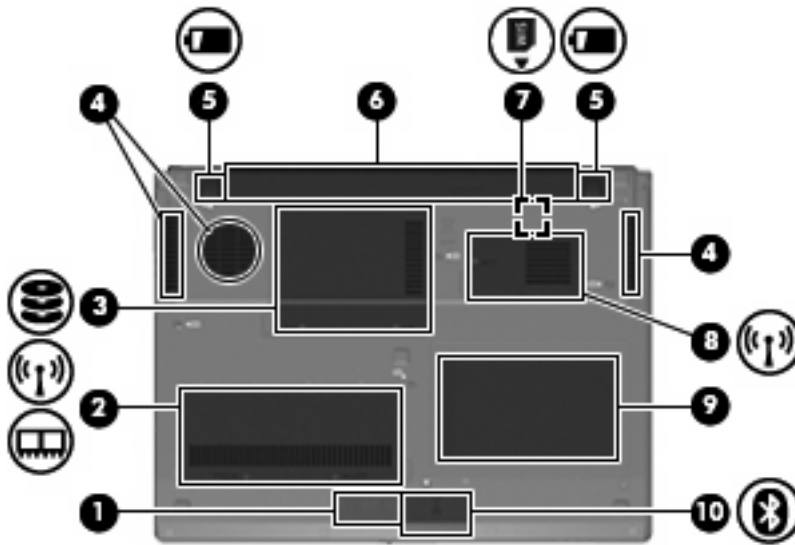
(1)	Smart card reader (select models only)	Supports smart cards and Java™ Cards.
(2)	Media Card Reader	Supports the following optional digital card formats: Secure Digital (SD) Memory Card, MultiMediaCard (MMC).
(3)	1394a port	Connects an optional IEEE 1394 or 1394a device, such as a camcorder.
(4)	Audio-out (headphone) jack	Produces computer sound when connected to optional powered stereo speakers, headphones, ear buds, a headset, or television audio.
(5)	Audio-in (microphone) jack	Connects an optional computer headset microphone, stereo array microphone, or monaural microphone.
(6)	USB port	Connects an optional USB device.
(7)	External monitor port	Connects an external VGA monitor or projector.
(8)	Vent	<p>Enables airflow to cool internal components.</p> <p>CAUTION: To prevent overheating, do not obstruct vents. Use the computer only on a hard, flat surface. Do not allow another hard surface, such as an adjoining optional printer, or a soft surface, such as pillows or thick rugs or clothing, to block airflow.</p> <p>NOTE: The computer fan starts up automatically to cool internal components and prevent overheating. It is normal for the internal fan to cycle on and off during routine operation.</p>
(9)	Docking connector	Connects an optional docking device.

Left-side components



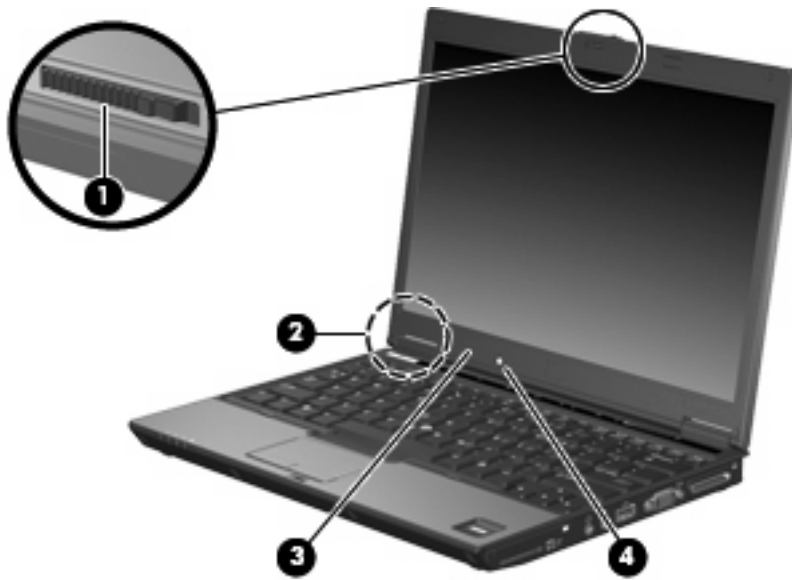
Component	Description
(1) Power connector	Connects an AC adapter.
(2) RJ-11 (modem) jack	Connects a modem cable.
(3) USB port	Depending on your computer model, the USB port is either a standard USB port or a powered USB port. A standard USB port connects an optional USB device. A powered USB port provides power to an external device if used with a powered USB cable.
(4) Vent	Enables airflow to cool internal components. CAUTION: To prevent overheating, do not obstruct vents. Use the computer only on a hard, flat surface. Do not allow another hard surface, such as an adjoining optional printer, or a soft surface, such as pillows or thick rugs or clothing, to block airflow. NOTE: The computer fan starts up automatically to cool internal components and prevent overheating. It is normal for the internal fan to cycle on and off during routine operation.
(5) Optical drive (select models only)	Reads an optical disc.
(6) Optical drive light	Blinking: The optical drive is being accessed.

Bottom components



Component	Description
(1) Speaker	Produces computer sound.
(2) Memory module/WLAN module compartment	Contains a memory module slot and a WLAN (wireless local area network) module slot.
(3) Hard drive bay	Holds the hard drive.
(4) Vents (3)	Enable airflow to cool internal components. CAUTION: To prevent overheating, do not obstruct vents. Use the computer only on a hard, flat surface. Do not allow another hard surface, such as an adjoining optional printer, or a soft surface, such as pillows or thick rugs or clothing, to block airflow. NOTE: The computer fan starts up automatically to cool internal components and prevent overheating. It is normal for the internal fan to cycle on and off during routine operation.
(5) Battery release latches (2)	Release the battery from the battery bay.
(6) Battery bay	Holds the battery.
(7) SIM slot	Contains a subscriber identity module (SIM). The SIM slot is located inside the battery bay.
(8) WWAN module compartment	Contains a WWAN (wireless wide-area network) module slot.
(9) Business-card holder	Holds a standard-sized business card.
(10) Bluetooth compartment	Contains a Bluetooth device (select models only).

Display components




Component	Description
(1) Display release latch	Opens the computer.
(2) Internal display switch	Turns off the display if the display is closed while the computer is on.
(3) Internal microphone	Records sound.
(4) Ambient light sensor	When activated, automatically adjusts the display brightness based on the lighting conditions in the environment.

Wireless antennae

Two antennae send and receive wireless signals to communicate with wireless local area networks (WLANs) and wireless wide area networks (WWANs). The antennae are not visible from the outside of the computer.

To see wireless regulatory notices, refer to the section of the *Regulatory, Safety and Environmental Notices* that applies to your country or region. These notices are located in Help and Support.



 **NOTE:** For optimal transmission, keep the areas immediately around the antennae free from obstructions.

Additional hardware components



Component	Description
(1) Power cord*	Connects an AC adapter to an AC outlet.
(2) AC adapter	Converts AC power to DC power.
(3) Battery*	Powers the computer when the computer is not plugged into external power.
(4) Modem cable (select models only)*	Connects the internal modem to an RJ-11 telephone jack or to a country-specific modem adapter.
(5) Country-specific modem cable adapter (select models only)	Adapts the modem cable to a non-RJ-11 telephone jack.

*Modem cables, batteries, and power cords vary in appearance by region and country.

3 Labels

The labels affixed to the computer provide information you may need when you troubleshoot system problems or travel internationally with the computer.

- Service tag—Provides the product brand and series name, serial number (s/n), and product number (p/n) of your computer. Have this information available when you contact technical support. The service tag label is affixed to the bottom of the computer.
- Microsoft® Certificate of Authenticity—Contains the Windows® Product Key. You may need the Product Key to update or troubleshoot the operating system. This certificate is affixed to the bottom of the computer.
- Regulatory label—Provides regulatory information about the computer. The regulatory label is affixed to the bottom of the computer.
- Modem approval label—Provides regulatory information about the modem and lists the agency approval markings required by some of the countries in which the modem has been approved for use. You may need this information when traveling internationally. The modem approval label is affixed inside the memory module compartment.
- Wireless certification label(s) (select models only)—Provide information about optional wireless devices and the approval markings of some of the countries in which the devices have been approved for use. An optional device may be a wireless local area network (WLAN) device, an HP Broadband Wireless Module, or an optional Bluetooth® device. If your computer model includes one or more wireless devices, one or more certification labels are included with your computer. You may need this information when traveling internationally. Wireless certification labels are affixed inside the memory module compartment.

Index

Symbols/Numerics

1394a port 11

A

AC adapter, identifying 16
ambient light sensor,
 identifying 14
applications key, Windows 7
audio-in (microphone) jack 10,
 11
audio-out (headphone) jack 10,
 11

B

battery bay 13, 17
battery light, identifying 4, 8
battery release latch,
 identifying 13
battery, identifying 16
bays
 battery 13, 17
 hard drive 13
Bluetooth compartment,
 identifying 13
Bluetooth label 17
Bluetooth module, identifying 8
business-card holder 13
buttons
 info 6
 pointing stick 3
 power 6
 presentation 6
 TouchPad 3
 TouchPad on/off 3
 volume mute 6
 wireless 6

C

caps lock light, identifying 4
Certificate of Authenticity label 17

compartments
 Bluetooth 13
 memory module 13
 WLAN module 13
 WWAN module 13
components
 additional hardware 16
 bottom 13
 display 14
 front 8
 left-side 12
 rear 9
 right-side 10
 top 3
 wireless antennae 15
connectors
 docking 10, 11
 power 12
cord, power 16
country-specific modem cable
 adapter 16

D

display components
 ambient light sensor 14
 display release latch 14
 internal display switch 14
 internal microphone 14
display release latch,
 identifying 8, 14
display switch 14
docking connector 10, 11
drive light, identifying 4, 8
drives
 hard 13
 optical 12

E

esc key, identifying 7
external monitor port 10, 11

F

fingerprint reader, identifying 6
fn key, identifying 7
function keys, identifying 7

H

hard drive bay 13
headphone jack 11
HP Fingerprint sensor 6

I

IEEE 1394a port 11
info button, identifying 6
internal display switch,
 identifying 14
internal microphone,
 identifying 14

J

jacks
 audio-in (microphone) 10, 11
 audio-out (headphone) 10,
 11
 RJ-11 (modem) 12
 RJ-45 (network) 9

K

keypad keys, identifying 7
keys
 esc 7
 fn 7
 function 7
 keypad 7
 Windows applications 7
 Windows logo 7

L

labels
 Bluetooth 17

- Microsoft Certificate of Authenticity 17
- modem approval 17
- regulatory 17
- service tag 17
- wireless certification 17
- WLAN 17
- latches
 - battery release 13
 - display release 8, 14
- lights
 - battery 4, 8
 - caps lock 4
 - drive 4, 8
 - mute 5
 - num lock 4
 - optical drive 12
 - power 4, 8
 - volume down 5
 - volume mute 5
 - volume up 5
 - wireless 4, 8
- M**
- Media Card Reader, identifying 10, 11
- memory module compartment, identifying 13
- microphone jack 10
- microphone, internal 14
- Microsoft Certificate of Authenticity label 17
- modem approval label 17
- modem cable 16
- modem cable adapter, country-specific 16
- monitor port 10
- mute button, identifying 6
- mute light, identifying 5
- N**
- num lock light, identifying 4
- O**
- operating system
 - Microsoft Certificate of Authenticity label 17
 - Product Key 17
- optical drive 12
- optical drive light 12

- P**
- PC Card slot, identifying 10
- pointing stick buttons, identifying 3
- pointing stick, identifying 3
- ports
 - 1394a 10, 11
 - external monitor 10, 11
 - USB 10, 11, 12
- power button, identifying 6
- power connector, identifying 12
- power cord, identifying 16
- power lights, identifying 4, 8
- presentation button, identifying 6
- Product Key 17
- product name and number, computer 17

- R**
- regulatory information
 - modem approval label 17
 - regulatory label 17
 - wireless certification labels 17
- release latch, battery 13
- RJ-11 (modem) jack 12
- RJ-45 (network) jack, identifying 9

- S**
- scroll zone, TouchPad 3
- security cable slot, identifying 9
- serial number, computer 17
- service tag 17
- SIM slot 13
- slots
 - Media Card Reader 10, 11
 - PC Card 10
 - SIM 13
 - smart card reader 11
- smart card reader 11
- speaker, identifying 13

- T**
- TouchPad 3
- TouchPad buttons, identifying 3
- TouchPad on/off button, identifying 3, 6
- TouchPad scroll zone 3
- traveling with the computer
 - modem approval label 17
 - wireless certification labels 17

- U**
- USB ports, identifying 10, 11, 12

- V**
- vents, identifying 10, 11, 12, 13
- volume down light, identifying 5
- volume mute button, identifying 6
- volume mute light, identifying 5
- volume scroll zone, identifying 6
- volume up light, identifying 5

- W**
- Windows applications key, identifying 7
- Windows logo key, identifying 7
- wireless button, identifying 6
- wireless certification label 17
- wireless light, identifying 4, 8
- WLAN antennae, identifying 15
- WLAN device 17
- WLAN label 17
- WLAN module compartment 13
- WWAN antennae, identifying 15
- WWAN module compartment 13

