

8.0" Printer PC

EP-308A

- 8.0" printer PC with Intel® Atom™ processor
- Small footprint satisfies limited space requirements
- Extendable connections for peripheral devices
- Built-in 2" easy-loading thermal printer
- Built-in resistive touch screen
- IP 64 compliant front panel

**Compact Desktop PC
built in thermal printer**



1. Compact Low Profile System

A compact and efficient desktop system is the perfect solution for small and medium business, allowing the business owner to easily manage the business transactions and records. The small footprint EP-308A is perfect for any environment installation.



Mobile POS System



Space Sensibility Retail Store



2. Customer Display Connection via VGA

- * Migrating from vacuum fluorescent display (VFD) to LCD customer display via VGA connection
- * Double screen space
- * Displays retail advertisements and promotions



Customer side display via VGA connection



3. Built-in 2" Easy-Loading Thermal Printer with Auto-cutting

■ High Speed Thermal Printer

The built-in printer can print at 100 mm/s (800 dot line/s) maximum.

■ Auto Cutter

The built-in printer supports full cut or partial cut paper according to user selection.

■ Easy Paper Setting

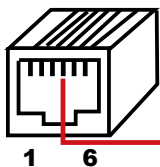
Paper can be easily inserted or the auto-load function can be selected. When a paper jam occurs, simply re-insert the roll of paper.



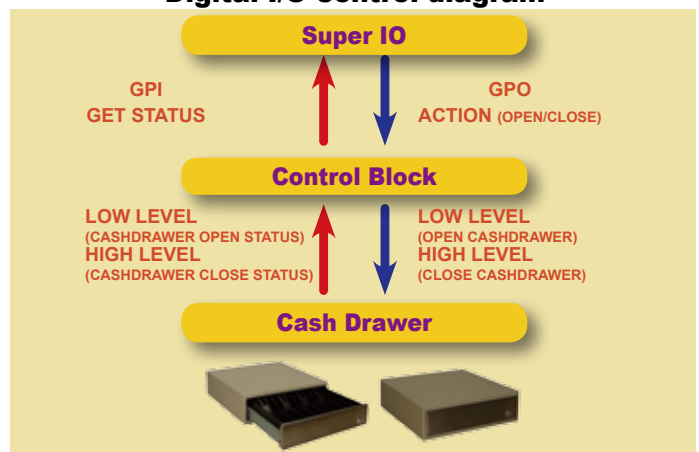
4. Cash Drawer Port via RJ-12 with 12V / 24V Power

Equipped with a digital I/O RJ-12 12 V/24 V port that provides extension for peripherals such as a cash drawer device.

Pin	Assignment
1	Ground
2	CASH_1 (Digital Out Programmable)
3	Digital IN
4	+12V/24V
5	NC
6	Ground



Digital I/O control diagram



5. IEI Intelligent System Management Module (iSMM)

The AFOLUX panel PC is equipped with the IEI patent system management module for tracking system and CPU temperatures, voltages, cooling fan speed, etc. By quickly capturing and reporting health data, users can prevent disasters from system instability or damage.

Temp.	Fan	Voltage	DIO	WDT	Save/Load	Cash drawer
CPU + System temperature monitoring	Dynamic fan controlling	Real time voltage alarm	Easy Digital I/O configuring	Trouble free watch dog timer testing	Flexibility user profile selection	Cash drawer control

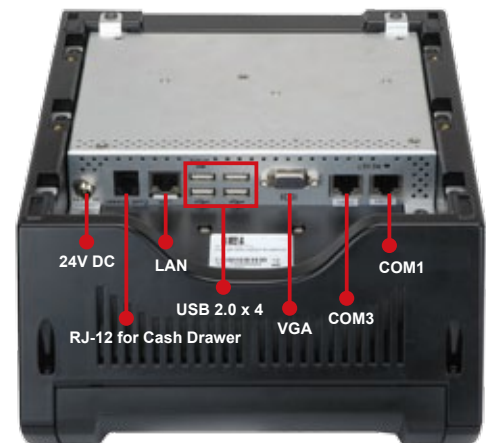
Cash Drawer Control For POS Application

6. Watchdog Timer Prevents System Lock-up

The watchdog timer will automatically restart the system if it stops responding, ensuring dependability during unattended operation.



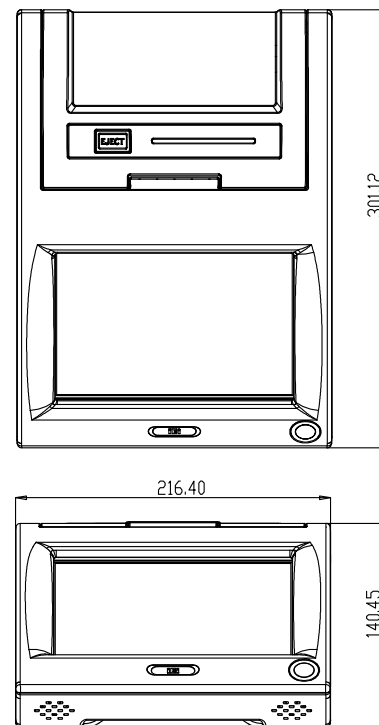
Rear Panel Input/Output



Specifications

Model	EP-308A-N270	
LCD Size	8"	
CPU	Intel® Atom™ 1.6GHz N270 Processor	
Chipset	Intel® 945GSE	
Memory	Built-in 1GB DDR2 Memory System Supports One 200-pin Dual-Channel 667 MHz DDR2 up to 2 GB	
Max. Resolution (W x H)	800 x 600	
Brightness (cd/m ²)	250	
Contrast Ratio	500:1	
LCD Color	262K	
Pixel Pitch (mm)	0.2025(H) x 0.2025(V)	
Viewing Angle (H-V)	130° / 110°	
Backlight MTBF	30000 hrs	
Touch Screen	5-Wire Resistive Type	
HDD	1 x 2.5" SATA HDD	
SSD	1 x CF Type II	
I/O Interface	Display	1 x VGA Port
	Powered USB	4 x USB 2.0
	Powered COM	2 x RJ-45 for RS-232 COM Port
	Cash Drawer Port	1 x RJ-12, 12V Cash Drawer Port
	LAN	1 x RJ-45 for Gigabit LAN
	Wireless	(Optional) IEEE 802.11 b/g/n (Internal PCIe Mini interface)
	Audio	AMP 1.5W + 1.5W (Internal speakers)
	Power Switch	1 x 24V DC-IN Power Jack
Power	Adapter	FSP070-RAA607, VAC:90~264V, 24V/70W
	Output	24V DC
Mounting	VESA 75mm x 75mm / 100mm x 100mm	
Construction	Aluminum Chassis	
Color	Black / Silver or Selected Color	
Operation Temperature (°C)	0°C~40°C	
IP Level	IP64 (Front Panel)	
Safety & EMI	CE / EMC / FCC / UL / BSMI	
Dimensions (WxHxD)	320 x 217 x 141 mm	
Net Weight	2.80 Kg	

EP-308 Dimensions (Unit: mm)



Ordering Information

Part Number	Description
EP-308A-N270/T-R/1GB-R11	8" 250cd/m ² POS PC with Intel® Atom™ N270 1.6GHz, 1GB DDR2 RAM, 10/100Base-T Ethernet, built-in 2" easy loading thermal printer with auto cutter WPOS/OPOS support only, touch screen, RoHS
EP-308AX-N270/T-R/1GB-R11	8" 250cd/m ² POS PC with Intel® Atom™ N270 1.6GHz, 1GB DDR2 RAM, 10/100Base-T Ethernet, touch screen, RoHS
EP-308AS-N270/T-R/1GB-R11	8" 250cd/m ² POS PC with Intel® Atom™ N270 1.6GHz, 1GB DDR2 RAM, 10/100Base-T Ethernet, built-in 2" easy loading thermal printer with auto cutter command mode supported, touch screen, RoHS

Options

Barcode Reader	AFLP-BRW01-U (White color) / AFLP-BRB01-U (Black color)
Customer Display	AFL-CDW01 (White color) / AFL-CDB01 (Black color)
OS: Windows® XPE	EPCF-308-N270-XPE (4GB CF Card)
OS: Windows® WEPOS	EPCF-308-N270-WEPOSREADY (4GB CF Card)